

## BUSSOLE DIN 179 e DIN 172 EXTRALUNGHE

### DRILL BUSHES DIN 179 and DIN 172 EXTRA LONG SIZE

**MATERIALE:**

16 Cr Ni 4

**TOLLERANZA DI RETTIFICA:**

Foro in "F7" - esterno in "n6"

**TRATTAMENTO TERMICO:**

Cementazione + tempra

**DUREZZA:**

Hrc 60±2

**MATERIAL:**

16 Cr Ni 4

**TOLERANCES OF GRINDING:**

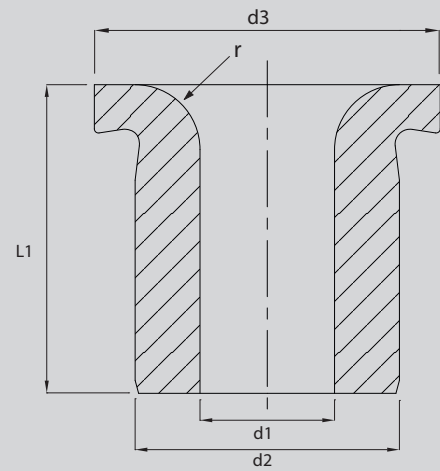
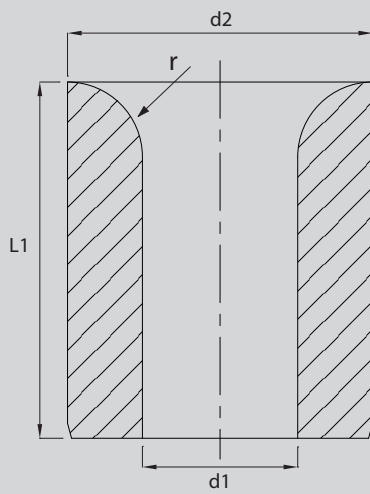
Hole in "F7" - outside in "n6"

**HEAT TREATMENT:**

Cementing + hardening

**HARDNESS:**

Hrc 60±2



Ød1	Ød2	Ød3	L1	DIN 179	DIN 172
				€	€
2,7 - 2,75 - 3,0 - 3,25	6	9	16	<b>2,20</b>	<b>2,40</b>
3,4 - 3,5 - 3,75 - 4,0	7	10	16	<b>2,20</b>	<b>2,40</b>
4,1 - 4,25 - 4,5 - 4,75 - 5,0	8	11	16	<b>2,20</b>	<b>2,40</b>
5,1 - 5,25 - 5,5 - 5,75 - 6,0	10	13	20	<b>2,40</b>	<b>2,60</b>
6,1 - 6,25 - 6,5 - 6,75 - 7,0 7,25 - 7,5 - 7,75 - 8,0	12	15	20	<b>2,50</b>	<b>2,75</b>
8,1 - 8,25 - 8,5 - 8,75 - 9,0 9,25 - 9,5 - 9,75 - 10,0	15	18	25	<b>2,70</b>	<b>3,00</b>
10,1 - 10,5 - 11 - 11,5 - 12	18	22	25	<b>2,80</b>	<b>3,20</b>
12,1 - 12,5 - 13 - 13,5 14,0 - 14,5 - 15,0	22	26	36	<b>3,50</b>	<b>4,50</b>
15,25 - 15,5 - 16 - 16,5 17,0 - 17,5 - 18,0	26	30	36	<b>4,40</b>	<b>4,90</b>